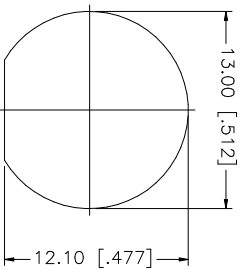
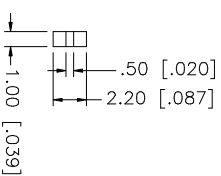
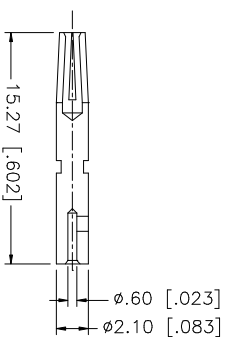
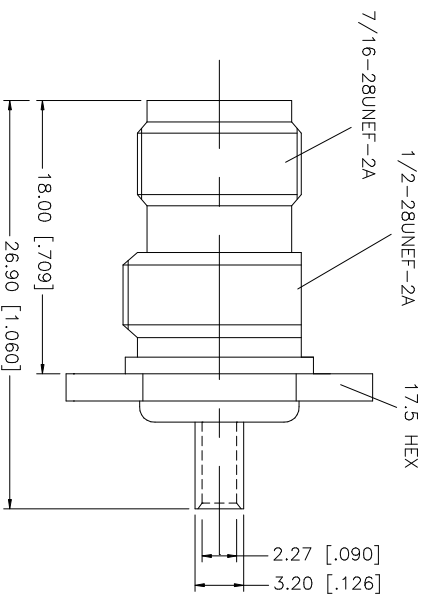
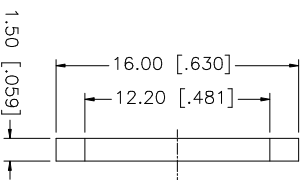
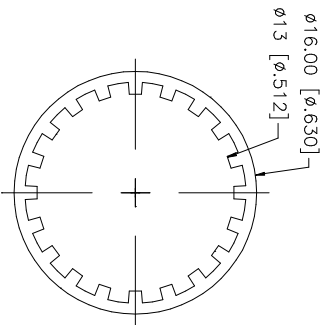
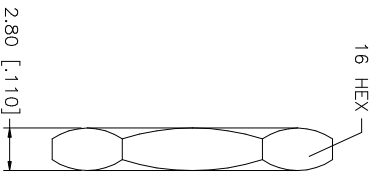
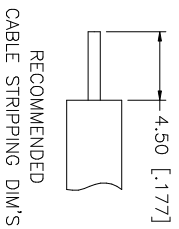


REV.	DATE	DESCRIPTION
A	04/05/03	UPDATE DRAWING FORMAT



RECOMMENDED
MOUNTING HOLE

- NOTE:
- CRIMPED CONTACT PIN
HEX CRIMP SIZE .068"
 - MAX. PANEL THICKNESS = 3.5mm

QTY	DESCRIPTION	MATERIAL	FINISH	FINISH	QTY	DO NOT SCALE DRAWING	CAD FILE	DWG. NO.	REV.	SIZE	SCALE
1	INSULATOR	TEFLON	NATURAL	NATURAL	1		C:/122/122400.DWG	122400.DWG	A	A	NA
1	CONTACT PIN	PHOS. BRONZE	GOLD		1	UNLESS OTHERWISE SPECIFIED DIMENSIONS ARE IN MILLIMETERS. DIMENSIONS IN [] ARE IN INCHES AND FOR CUSTOMER REFERENCE ONLY. UNLESS OTHERWISE SPECIFIED TOLERANCES FOR MILLIMETERS ARE: 0.5 - 8mm ± 0.20mm 8 - 30mm ± 0.40mm 30 - 120mm ± 0.50mm					
1	HEX NUT	BRASS	NICKEL		1	UNLESS OTHERWISE SPECIFIED TOLERANCES FOR INCHES ARE: .020 - .315 = ± 0.007" .315 - 1.180 = ± 0.015" 1.180 - 4.724 = ± 0.020"					
1	LOCK WASHER	BRASS	NICKEL		1						
1	GASKET	RUBBER	RED		1						
1	INSULATOR	TEFLON	NATURAL	NATURAL	1						
1	HOUSING/BODY	BRASS	NICKEL	NICKEL	1						
	DESCRIPTION	MATERIAL	FINISH	FINISH	QTY	DO NOT SCALE DRAWING	CAD FILE	DWG. NO.	REV.	SIZE	SCALE

Amphenol Connex

TNC BULKHEAD SOLDER JACK
(FOR .085", .086" CABLE)

122400